

STARRETT HOLE CUTTERS, CENTER DRILL and ARBORS

Characteristics

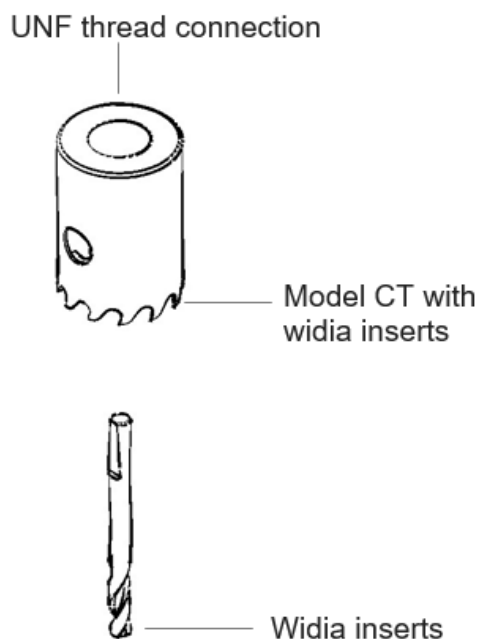
- ▶ Black Starrett hole cutters model CT with widia inserts (tungsten carbide) suitable for drilling iron pipes lined cement.
- ▶ Yellow Starrett hole cutters model FCH suitable for drilling steel and stainless steel pipes.
- ▶ For use with Starrett arbors in SMARQ device and 1/2" and 5/8" UNF couplings in HDT device (see page 17B).
- ▶ They can also be used with "Classic" device using B-5 or B-7 shaft (see table page 13B).
- ▶ Cutting depth 41mm.
- ▶ We recommend using these hole cutters with the widia center drill.

MATERIALES

- ▶ Black hole cutters with widia teeth (tungsten carbide).
- ▶ Yellow hole cutters in bimetallic steel and constant pitch teeth.
- ▶ Steel drill bit widia-tipped (tungsten carbide).



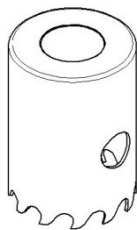
Advantages



STARRETT HOLE CUTTERS, CENTER DRILL and ARBORS



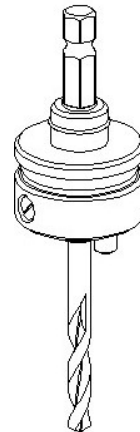
1/4"x80 Widia center drill bit



Starrett hole cutter



Starrett A1 Arbor with drill bit (from 3/4" to 1 1/4")



Starrett A10 Arbor with drill bit (from 1 1/2" to 4")

Codes, names and dimensions

STARRETT HOLE CUTTERS, CENTER DRILL and ARBORS			
CODE	NAME	Dimensions (mm)	
		Diameter – Height – Thread	Weight with box (kg)
OQ82560	1/4"x80 Widia center drill bit	Ø 6,3 – length: 80	0,016
OQ82405	3/4" Starrett black hole cutter CT Ø19	Ø 19 – 54 – 1/2" UNF	0,040
OQ82410	1" Starrett black hole cutter CT Ø22	Ø 22 – 54 – 1/2" UNF	0,060
OQ82420	1 1/4" Starrett black hole cutter CT Ø29	Ø 29 – 54 – 1/2" UNF	0,086
OQ82430	1 1/2" Starrett black hole cutter CT Ø38	Ø 38 – 54 – 5/8" UNF	0,090
OQ82440	2" Starrett black hole cutter CT Ø44	Ø 44 – 46 – 5/8" UNF	0,115
OQ82450	2 1/2" Starrett black hole cutter CT Ø54	Ø 54 – 46 – 5/8" UNF	---
OQ82460	3" Starrett black hole cutter CT Ø70	Ø 70 – 46 – 5/8" UNF	---
OQ82470	4" Starrett black hole cutter CT Ø86	Ø 86 – 46 – 5/8" UNF	---
OQ82605	3/4" Starrett yellow hole cutter FCH Ø19	Ø 19 – 55 – 1/2" UNF	0,040
OQ82610	1" Starrett yellow hole cutter FCH Ø22	Ø 22 – 54 – 1/2" UNF	0,054
OQ82620	1 1/4" Starrett yellow hole cutter FCH Ø30	Ø 30 – 53 – 1/2" UNF	0,098
OQ82630	1 1/2" Starrett yellow hole cutter FCH Ø38	Ø 38 – 46 – 5/8" UNF	0,105
OQ82640	2" Starrett yellow hole cutter FCH Ø44	Ø 44 – 46 – 5/8" UNF	0,107
OQ82650	2 1/2" Starrett yellow hole cutter FCH Ø54	Ø 54 – 46 – 5/8" UNF	---
OQ82660	3" Starrett yellow hole cutter FCH Ø70	Ø 70 – 46 – 5/8" UNF	---
OQ82670	4" Starrett yellow hole cutter FCH Ø86	Ø 86 – 46 – 5/8" UNF	---
OQ82540	Starrett A1 Arbor with drill bit (from 3/4" to 1 1/4")	Ø 19 – altura: 69	0,100
OQ82550	Starrett A1 Arbor with drill bit (from 1 1/2" to 4")	Ø 36 – altura: 67	0,243