

“SIZE ON SIZE” FLANGED HOT TAPPING SADDLES

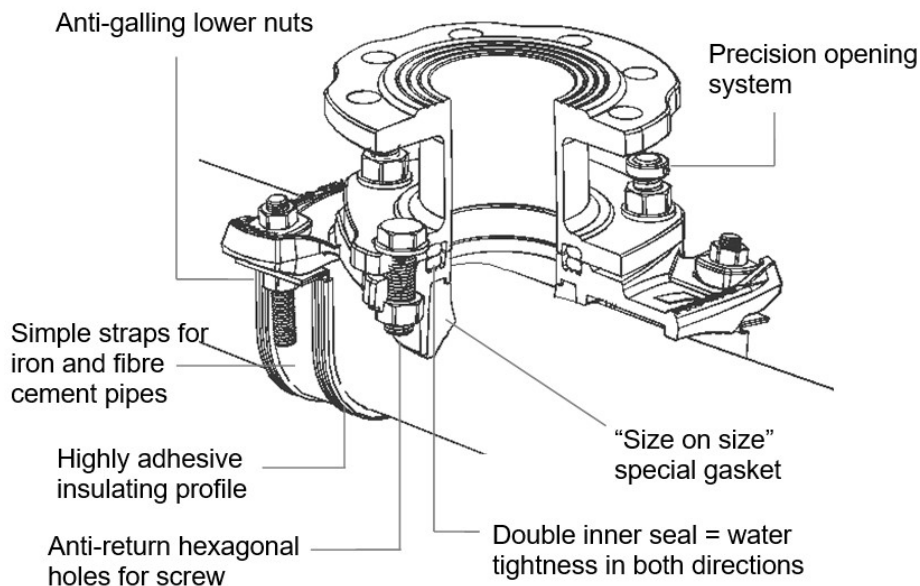
Characteristics

- ▶ Saddles to install bypasses or branching, in pressurized water networks, on pipes of the same diameter of the branch.
- ▶ Flanged outlet in DN65, DN80 and DN100. Can be installed with reduced or integral bore for bypass installations and insert valves.
- ▶ Hot tapping saddles with inner sealing in both directions,
- ▶ Sealing process by means of newly designed rotating shut-off blade.
- ▶ Designed according to the European standard EN 545.
- ▶ PN 16 – Permissible working pressure (PWP): 16 bar.
- ▶ Mounted on iron pipes with two 55mm **OPTIMQ** simple straps.
- ▶ For PE and PVC-O pipes use a 265-mm wide strap.
- ▶ Tapping saddle fitted with “size on size – full bore” gaskets.
- ▶ With open flap to make the strap fitting easier.
- ▶ Fitted with an anti-turn hexagon for the screw heads.

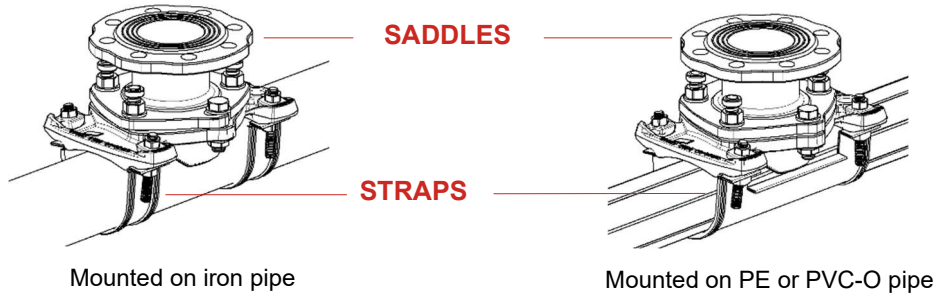
MATERIALS

- ▶ EN-GJS-450-10 ductile iron body and spool.
- ▶ Epoxy coating approved for drinking water (250-500 microns)
- ▶ EPDM rubber gasket suitable for drinking water.
- ▶ 8.8 steel screws and nuts with Geomet coating.
- ▶ Straps, nuts and studs made of AISI 304 stainless steel.
- ▶ Straps with blue EPDM rubber insulating profile.

Advantages



“SIZE ON SIZE” FLANGED HOT TAPPING SADDLES



Code, sizes and dimensions

“SIZE ON SIZE” FLANGED HOT TAPPING SADDLES									
Code	Size	Range of use			Height mm	Flange Ø mm	Cutter Ø (mm)		Weight Kg/u.
		Iron	PE & PVC	Fibre cement			Reduced bore	Full bore	
OQ04640	DN 65x80	80	90	80	130	185	55	60	11,340
OQ04740	DN 80x80	80	90	80	130	200	70	76	11,670
OQ04850	DN 100x100	100	110-125	100	130	200	86	98	13,310

SIMPLE STRAPS (for iron and fiber cement pipes)							
Code	Size	Range of use		Diameter range		Pieces per box	Weight/u. kg
		Iron	Fibre cement	Min.	Max.		
OQ01030	Nº 3	80	80	90	110	50	0,420
OQ01040	Nº 4	100	100-C/D	110	125	50	0,450

WIDE STRAPS (for PE and oriented PVC pipes)				
Range of use	Size	Range of use		Weight/u. kg
		PE	PVC-O	
OQ02030	90	90	90	1,320
OQ02040	110	110	110	1,500
OQ02045	125	125	125	1,630