

## THREADED HOT TAPPING SADDLES

### Characteristics

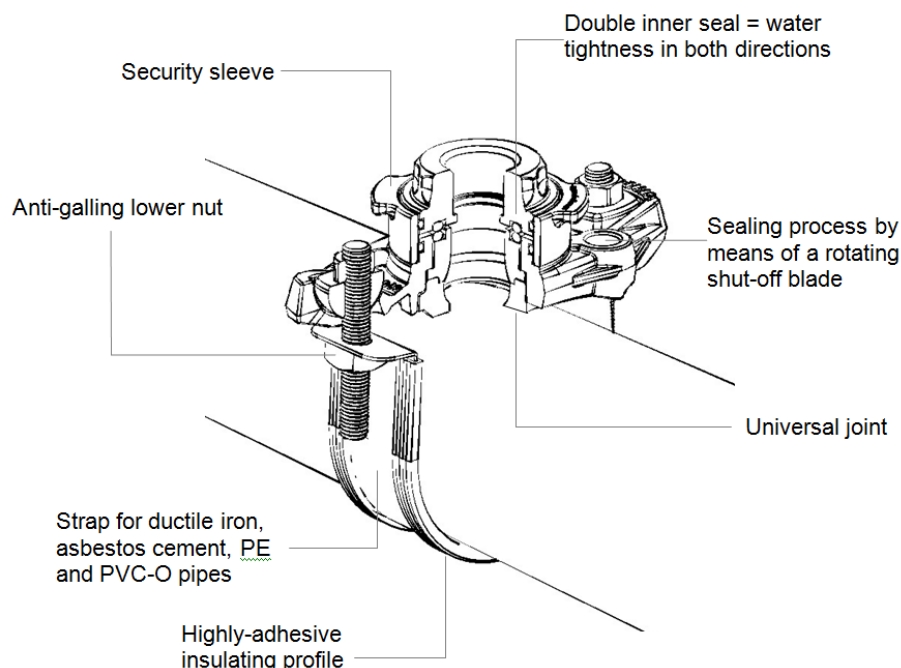
- ▶ Hot tapping saddle to create branches in water supply networks.
- ▶ Manufactured in ¾", 1", 1¼", 1½" and 2".
- ▶ Sealing by the **OPTIMQ** rotating shut-off blade or a standard spatula.
- ▶ For connections on cast iron, fibre cement, PE and PVC-O.
- ▶ Mounted with one 55mm **OPTIMQ** simple strap.
- ▶ With double interior O-ring and outer safety sleeve.
- ▶ Saddle with universal gasket.
- ▶ With one open flap to make fitting the strap fitting easier.
- ▶ Manufactured according to the European standard EN 545.
- ▶ PN 16 – Permissible working pressure (PWP): See table on page 6B.

### MATERIALS

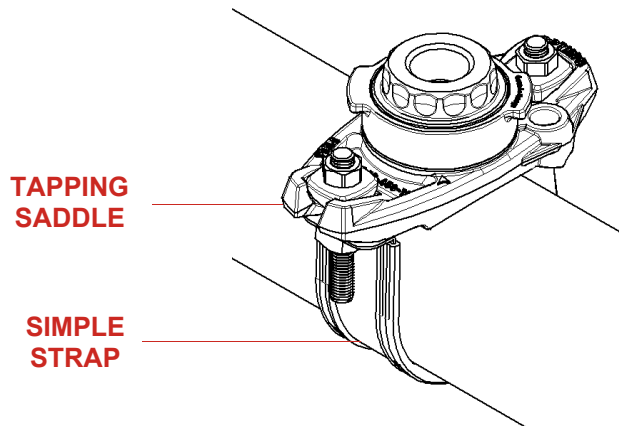
- ▶ Ductile iron body EN-GJS-450-10.
- ▶ Epoxy coating certified for drinking water.
- ▶ Coating thickness between 250 and 500 microns.
- ▶ EPDM rubber gasket, EN 681-1 standard, suitable for drinking water.
- ▶ Straps and studs in A2 stainless steel and nuts in A4 stainless steel.
- ▶ Strap with rubber insulating profile and ball joints made of acetal resin.



### Advantages



## THREADED HOT TAPPING SADDLES



## Code, sizes and dimensions

THREADED HOT TAPPING SADDLES								
Code	Size	Range of use			Height sobre tubo mm	Thread size	Pieces per box	Weight per unit kg
		Iron	Main pipe material PE & PVC-O	Fibre cement				
OQ08100	¾"	60*-300	63*-315	60*-300D	62	G¾"	8	1,680
OQ08200	1"	60*-300	63*-315	60*-300D	62	G1"	8	1,620
OQ08300	1¼"	80*-350	75*-400	80*-350D	62	G1¼"	6	2,230
OQ08400	1½"	80*-350	75*-400	80*-350D	62	G1½"	6	2,180
OQ08500	2"	80*-350	75*-400	80*-350D	62	G2"	6	2,030

Permissible Working Pressures: 16 bar, except for sizes marked with an asterisk (\*) which is 10 bar

SIMPLE STRAPS								
Code	Size	Range of use			Diameter range		Pieces per box	Weight per unit kg
		Iron	Main pipe material PE & PCV-O	Fibre cement	Min.	Max.		
OQ01010	Nº 1	60	63	60	63	80	50	0,340
OQ01020	Nº 2	65	75	70	70	90	50	0,350
OQ01030	Nº 3	80	90	80	90	110	50	0,420
OQ01035	Nº 3&4	80 y 100	90	80 y 100	90	130	50	0,450
OQ01040	Nº 4	100	110	100-C/D	110	125	50	0,450
OQ01050	Nº 5	---	125	100-E/F	125	140	50	0,500
OQ01060	Nº 6	125	140	125	140	160	30	0,520
OQ01070	Nº 7	150	160	150-C/D	160	180	30	0,590
OQ01080	Nº 8	---	180	150-E/F	180	200	30	0,630
OQ01090	Nº 9	175	200	175	200	220	30	0,670
OQ01100	Nº 10	200	225	200-C/D	220	245	30	0,720
OQ01110	Nº 11	225	250	200-E/F	245	270	30	0,780
OQ01120	Nº 12	250	280	250-C	270	290	25	0,830
OQ01130	Nº 13	---	---	250-C/D/E	290	315	25	0,890
OQ01140	Nº 14	300	315	---	315	335	25	0,940
OQ01150	Nº 15	---	355	300-C/D	335	355	25	0,990
OQ01160	Nº 16	350	---	---	375	395	---	1,090
OQ01170	Nº 17	---	400	350-C/D	395	415	---	1,140