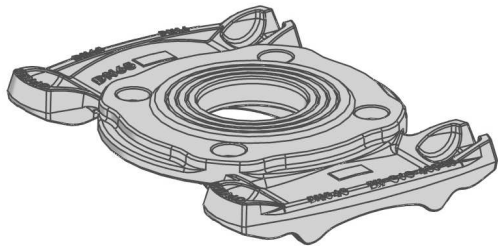


1 x

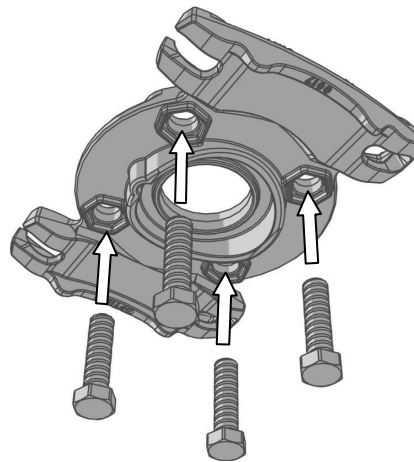


DN 65: 4 x

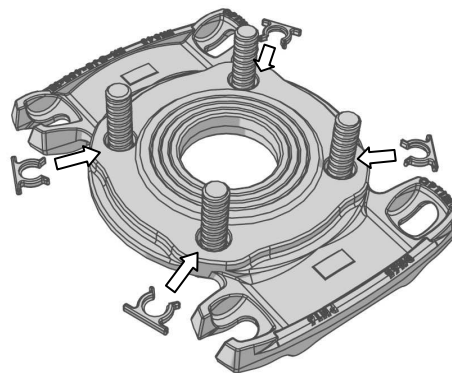
DN 80/100: 8 x



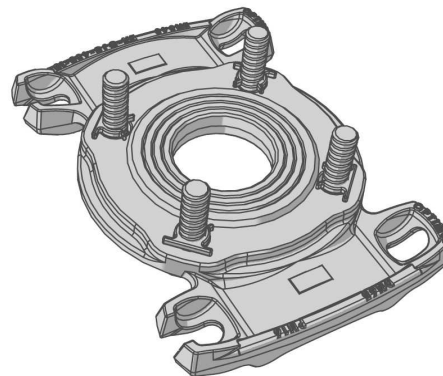
1



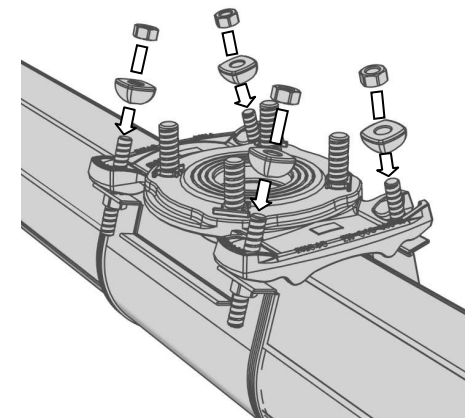
2



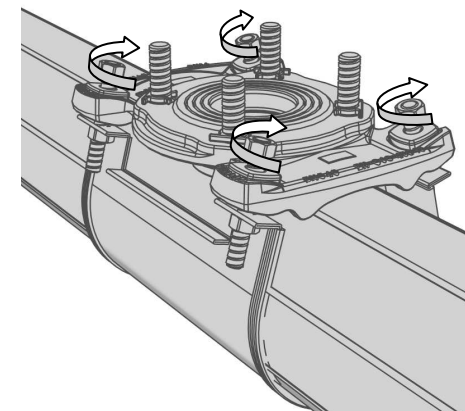
3



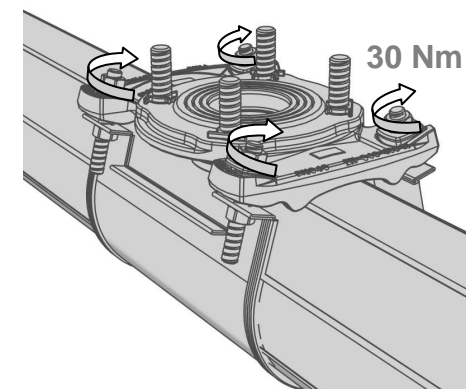
4



5



6



OPTIM Q