

SLIMLINE TAPPING SADDLES

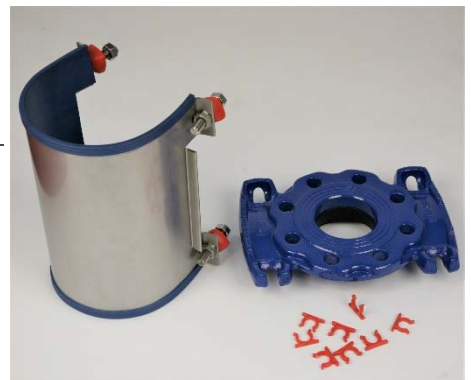
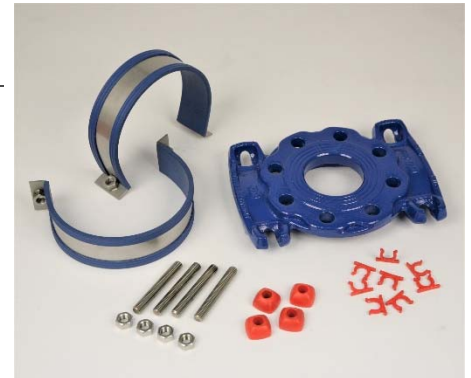
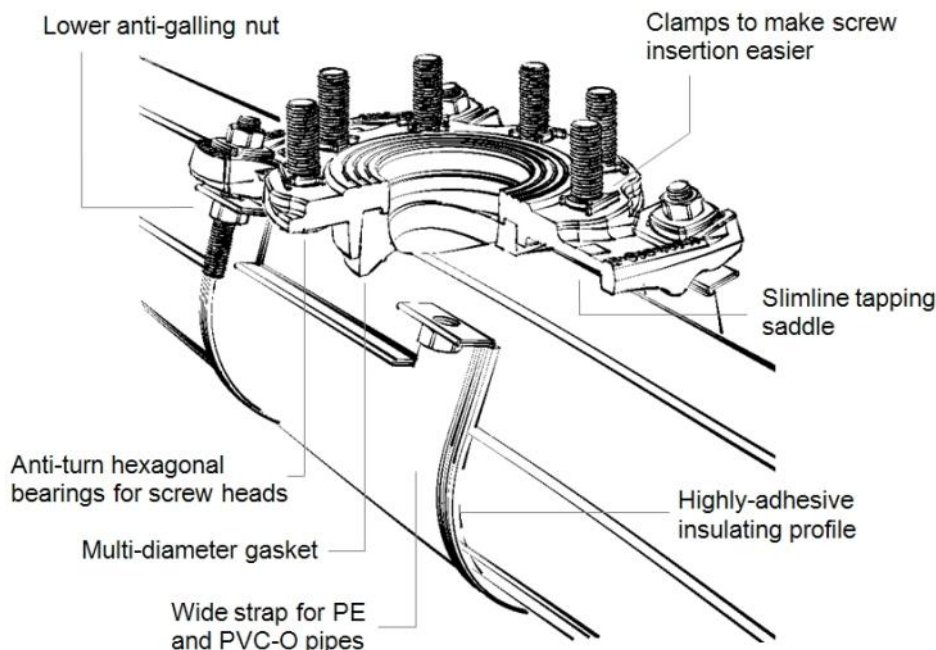
Characteristics

- ▶ **WORLD PREMIERE** Slimline tapping saddle to create branches in water networks.
- ▶ Due to their reduced height and weight they offer considerable advantages over the simple traditional necked-saddle.
- ▶ Designed according to the European standard EN 545.
- ▶ PN 16 – Permissible working pressure (PWP): 16 bar.
- ▶ Mounted on iron pipes with two 55mm **OPTIMQ** simple straps.
- ▶ For PE and PVC-O pipes use a 265-mm wide strap.
- ▶ Tapping saddle fitted with a multi-diameter gasket.
- ▶ One side with open flaps for easy mounting of the straps.
- ▶ Fitted with an anti-turn hexagon for the screw heads.
- ▶ Includes a set of clamps to make the screw insertion easier.

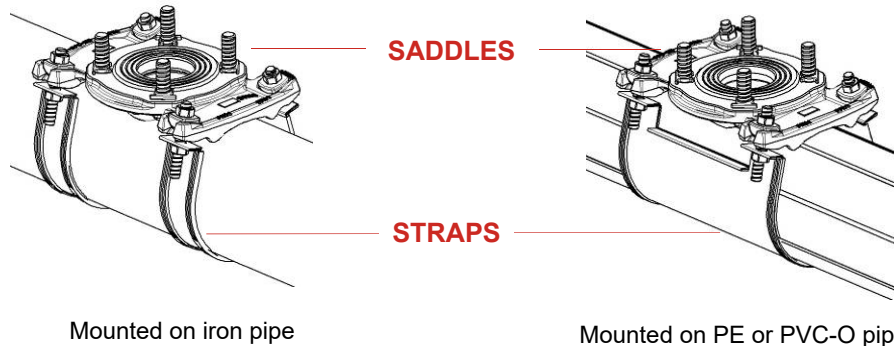
MATERIALS

- ▶ EN-GJS-450-10 ductile iron body.
- ▶ Epoxy coating approved for drinking water (250-500 microns).
- ▶ EPDM rubber gasket suitable for drinking water.
- ▶ Acetal resin clamps to fasten the screws.
- ▶ Straps and studs made of A2 stainless steel, nuts in A4 stainless steel
- ▶ Straps with rubber insulating profile and acetal resin ball joints.

Advantages



SLIMLINE TAPPING SADDLES



Codes, names and dimensions

SLIMLINE TAPPING SADDLE							
Code	Size	Range of use			Height on pipe mm	Diameter flange mm	Weight per unit kg
		Main pipe material					
		Iron	PE & PVC-O	Fibre cement			
OQ03750	DN 80-C	100-200	160-180	100-200C	30	200	4,830
OQ03760	DN 80-D	150-250	180-225	150-200	30	200	4,830
OQ03790	DN 80-E	200-350	250-355	200E-350D	30	200	4,840
OQ03860	DN 100-D	150-200	160-225	150C-200C	30	220	5,440
OQ03890	DN 100-E	200-350	250-355	200E-350D	30	220	5,450

SIMPLE STRAPS (for ductile iron and fiber cement pipes)							
Code	Size	Range of use		Diameter range		Pcs per box	Weight per unit kg
		Main pipe material		Min.	Max.		
		Iron	Max.				
OQ01040	Nº 4	100	100-C/D	110	125	50	0,450
OQ01050	Nº 5	---	100-E/F	125	140	50	0,500
OQ01060	Nº 6	125	125	140	160	30	0,520
OQ01070	Nº 7	150	150-C/D	160	180	30	0,590
OQ01080	Nº 8	---	150-E/F	180	200	30	0,630
OQ01090	Nº 9	175	175	200	220	30	0,670
OQ01100	Nº 10	200	200-C/D	220	245	30	0,720
OQ01110	Nº 11	225	200-E/F	245	270	30	0,780
OQ01120	Nº 12	250	250-C	270	290	25	0,830
OQ01130	Nº 13	---	250-C/D/E	290	315	25	0,890
OQ01140	Nº 14	300	---	315	335	25	0,940
OQ01150	Nº 15	---	300-C/D	335	355	25	0,990
OQ01160	Nº 16	350	---	375	395	---	1,090
OQ01170	Nº 17	---	350-C/D	395	415	---	1,140

BANDAS ANCHAS (para tuberías de PE y PVC orientado)				
Code	Size	Range of use		Weight per unit kg
		Main pipe material		
		PE	PVC-O	
OQ02050	160	160	160	2,020
OQ02055	180	180	180	2,200
OQ02060	200	200	200	2,480
OQ02070	225	225	225	2,610
OQ02080	250	250	250	3,030
OQ02085	280	280	280	3,300
OQ02090	315	315	315	3,670
OQ02095	355	355	315	4,150