

FLANGED HOT CONNECTORS

Characteristics

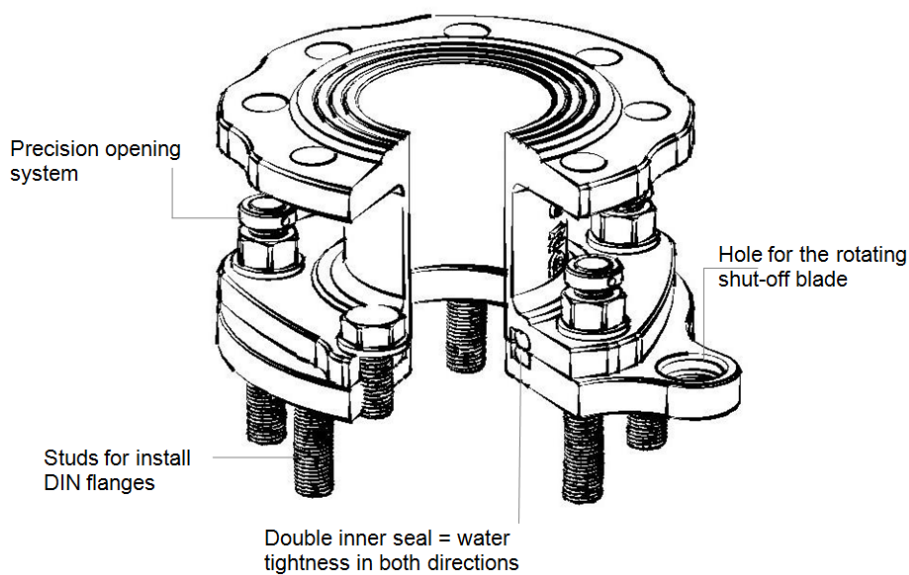
- ▶ **WORLD PREMIERE** Under pressure connector to install upon any kind of standard flanged tee.
- ▶ It is ideal for assemblies on duck foot fittings in fire hydrants installations where the use of shut-off valves is not allowed.
- ▶ Sealing process by means of newly designed rotating shut-off blade.
- ▶ Watertight in both ways.
- ▶ Designed according to the European standard EN 545.
- ▶ PN 16 – Permissible working pressure (PWP): 16 bar.

MATERIALS

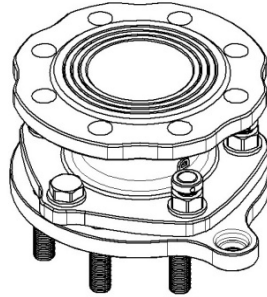
- ▶ EN-GJS-450-10 ductile iron spool and steel base flange.
- ▶ Epoxy coating approved for drinking water.
- ▶ Coating thickness between 250 and 500 micron.
- ▶ 8.8 steel screws and nuts with Geomet coating.



Advantages



FLANGED HOT CONNECTORS



Codes, sizes and dimensions

FLANGED HOT CONNECTORS					
Code	Size	Useful height Connector	Lower studs		Weight kg
			Length	Thread	
OQ11770	DN80	111	47	M.16	10,950
OQ11880	DN100	111	47	M.16	12,550